



The DEPAC type 186 is a dynamic, balanced single-component seal that was specially developed for installation spaces according to DIN 24960 / EN12756. Scoring of the shaft is ruled out despite the dynamic design, because the dynamic O-ring seals against the seal face and not against the shaft. The balancing results in lower face friction and thus less wear, which is reflected by an optimisation of the service life.

DEPAC also offers these mechanical seals in larger dimensions than the standard sizes indicated in the standard. The mechanical seal can be combined with popular stationary parts, retainers, glands and adapter parts.

Advantages

- L1Ku installation length with stationary parts DS1 and DS2
- No scoring of the shaft or shaft sleeve
- Fits installation spaces according to DIN 24960 / EN12756
- Balanced
- Independent of the direction of rotation
- Multiple springs made of Hastelloy C
- Springs outside the medium - no blockage of the springs

Mechanical seal

Type 186

Technical specifications

Area of application*

Pressure:	700 mm Hg to 30 bar
Temperature:	dependent on elastomer
Sliding speed:	up to 30 m/s
Shaft movements:	axial $\leq \varnothing 35 \pm 0.5 \text{ mm} \mid \geq \varnothing 38 \pm 1.0 \text{ mm}$ radial $\leq \varnothing 35 \pm 0.5 \text{ mm} \mid \geq \varnothing 38 \pm 0.5 \text{ mm}$

* The maximum specifications for temperature, pressure and sliding speed apply in each case to independent higher operating conditions. However, this does not mean that the seal will function with all extreme conditions at the same time. If in doubt contact DEPAC.

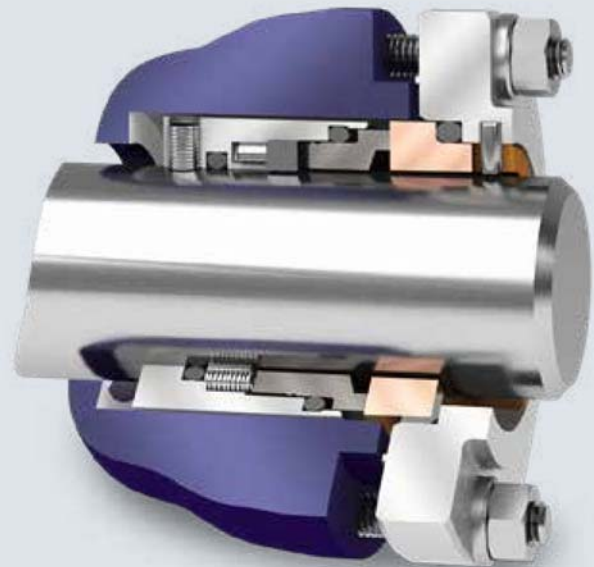
Dimensions

Shaft diameter:	16 – 160 mm 5/8" – 6 1/4" Special sizes on enquiry
-----------------	--

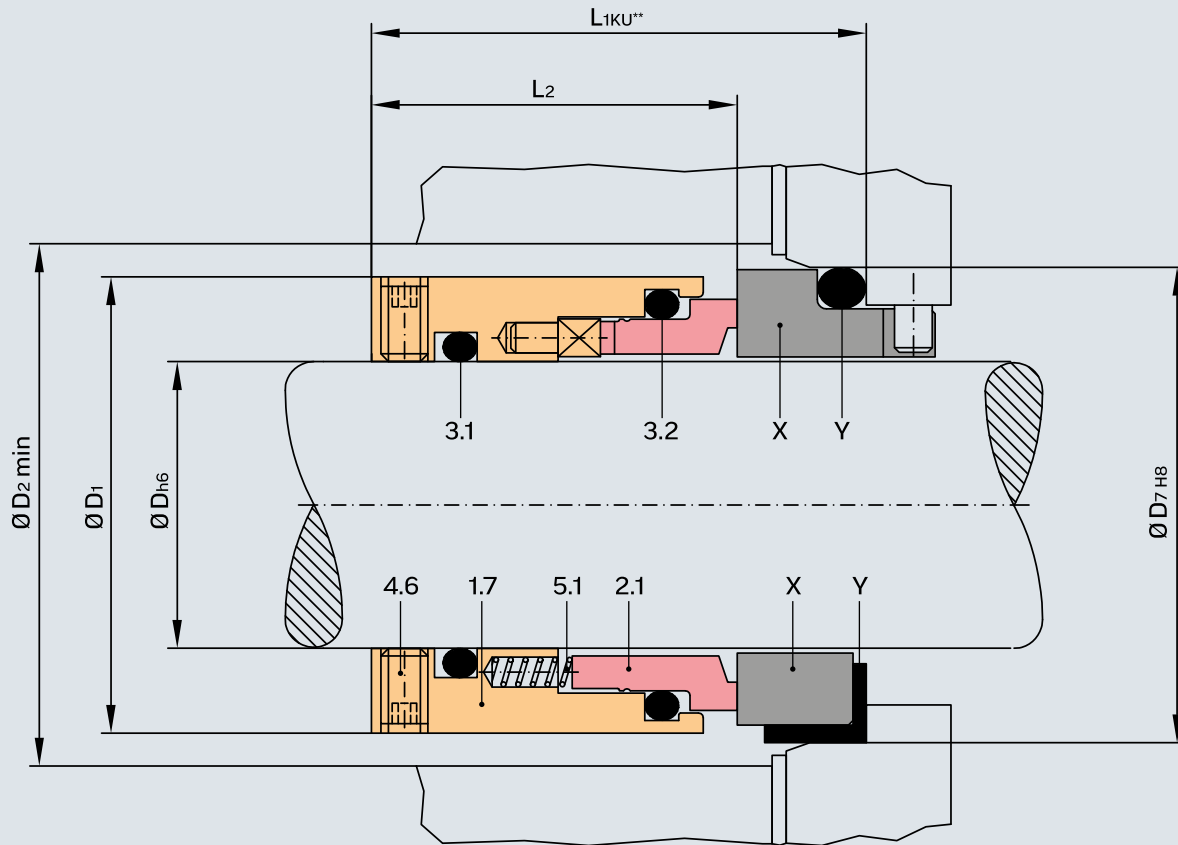
Bill of materials

Item	Description	Material
1.7	Dynamic retainer	1.4571
2.1	Dynamic seal face	CA/SC/SSIC/TC
3.1, 3.2	O-ring	FKM, EPDM, Kalrez®, PTFE,...
4.6	Threaded pin	A4
5.1	Spring	2.4610
X*	Stationary parts DS1, DS2, DS4	SC/SSIC/TC
Y*	O-ring or profile seal	FKM, EPDM, PTFE,...

* Not included in the scope of delivery!
Other materials on enquiry!



Mechanical seal Type 186 Data sheet



Dimension table $\varnothing 16 - 100$ millimetres

D _{h6}	D ₁	D _{2 min.}	D _{7H8}	L _{1KU**}	L ₂	O-rings DASH no.	
						3.1	3.2
16	30	34*	33*	42*	31.8	114	119
18	32	34	33	42*	31.8	116	120
20	34	36	35	42*	31.8	117	122
22	36	38	37	42*	31.8	118	123
24	38	40	39	42*	31.8	120	124
25	39	41	40	42*	31.8	120	125
28	42	44	43	42.5	32.3	122	127
30	44	46	45	42.5	32.3	123	128
32	46	48	48	42.5	32.3	125	129
33	47	49	48	42.5	32.3	125	130
35	49	51	50	42.5	32.3	126	131
38	53	56	56	45	33.3	128	134
40	55	58	58	45	33.3	130	135
43	58	61	61	45	33.3	131	137
45	60	63	63	45	33.3	133	138

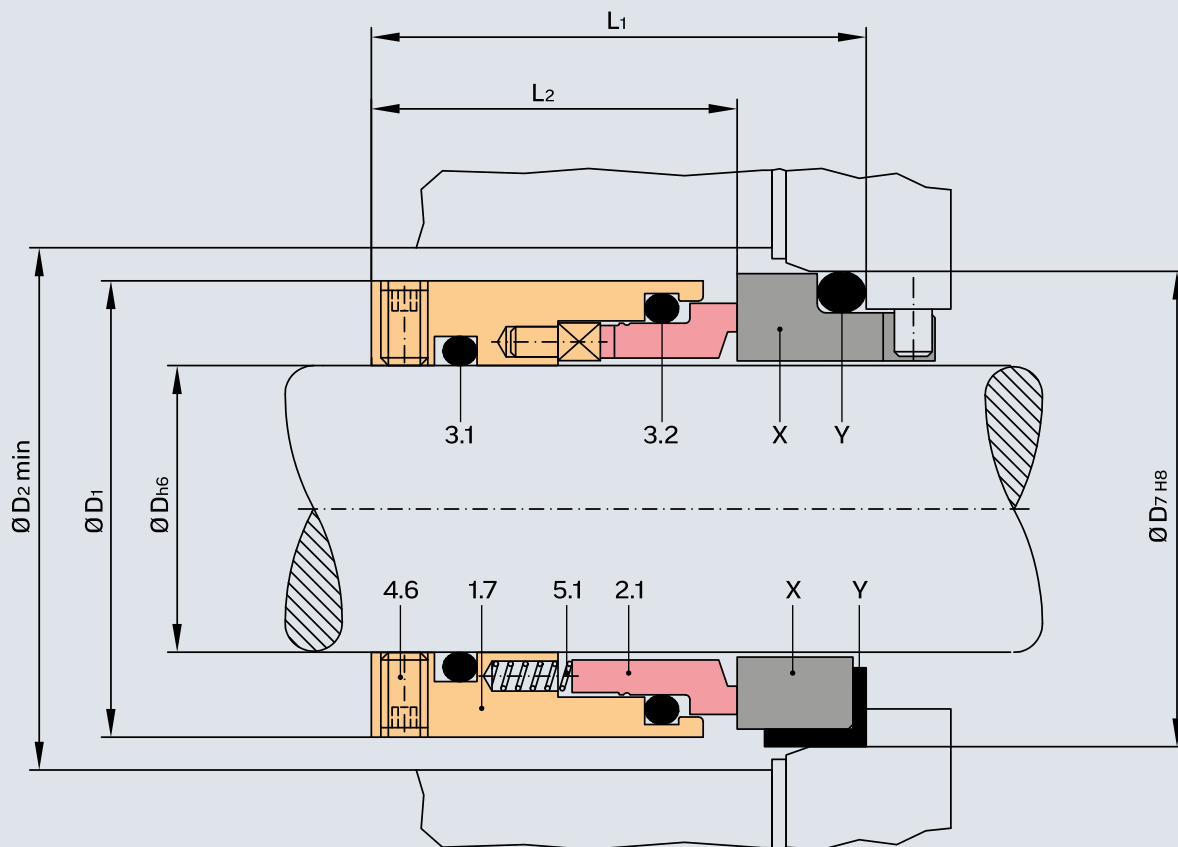
D _{h6}	D ₁	D _{2 min.}	D ₇	L _{1KU**}	L ₂	O-rings DASH no.	
						3.1	3.2
48	63	66	66	45	33.3	135	140
50	66	69	70	47.5	33.8	136	141
53	69	72	73	47.5	33.8	138	143
55	71	74	75	47.5	33.8	139	144
58	76	80	78	52.5	38.8	229	231
60	78	82	80	52.5	38.8	229	232
63	81	85	83	52.5	38.8	230	233
65	83	87	85	52.5	38.8	231	233
70	88	92	92	60	44.4	233	235
75	93	97	97	60	44.4	234	236
80	103	107	105	60	43.7	236	239
85	108	112	110	60	43.7	237	241
90	113	117	115	65	48.7	239	242
95	118	122	120	65	48.7	240	244
100	123	127	125	65	48.7	242	245

* Does not conform to the installation dimensions of the standard
 ** L_{1KU} installation length with DS1 and DS2

Mechanical seal

Type 186

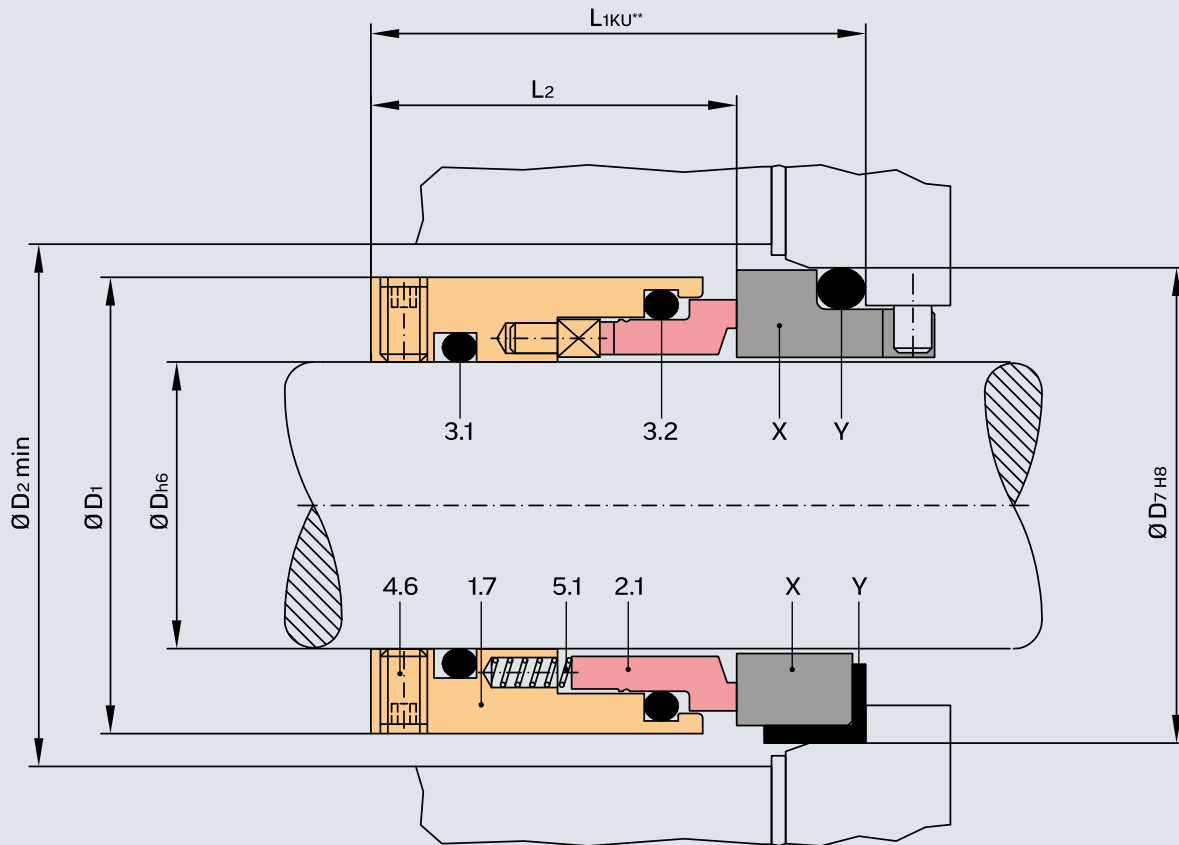
Data sheet



Dimension table Ø 105 - 160 millimetres

D _{h6}	D ₁	D _{2 min.}	D _{7H8}	L ₁	L ₂	O-rings	
						3.1	3.2
105	134	138	131	67	51	DASH no. 244	Ø 4x120 mm
110	139	143	136	67	51	DASH no. 245	Ø 4x125 mm
115	144	148	141	67	51	DASH no. 247	Ø 4x130 mm
120	149	153	150	67	51	DASH no. 248	Ø 4x135 mm
125	154	158	155	67	51	DASH no. 250	Ø 4x140 mm
130	159	163	160	67	51	DASH no. 251	Ø 4x145 mm
135	164	168	165	67	51	DASH no. 253	Ø 4x150 mm
140	169	173	170	67	51	DASH no. 255	Ø 4x155 mm
145	174	178	175	67	51	DASH no. 256	Ø 4x160 mm
150	179	183	180	67	51	DASH no. 258	Ø 4x165 mm
155	184	188	185	67	51	DASH no. 259	Ø 4x170 mm
160	189	193	190	67	51	DASH no. 260	Ø 4x175 mm

Mechanical seal Type 186 Data sheet



Dimension table $\varnothing \frac{5}{8}$ - 4 inches

D_{h6}	D_1	$D_2 \text{ min.}$	$D_{7 H8}$	L_{1KU}^{**}	L_2	O-rings DASH no.	
						3.1	3.2
$\frac{5}{8}$	1.181*	1.339*	1.299*	1.654*	1.252	114	119
$\frac{3}{4}$	1.339	1.417	1.378	1.654*	1.252	116	122
$\frac{7}{8}$	1.417	1.496	1.457	1.654*	1.252	119	123
1	1.654	1.732	1.693	1.673	1.272	120	127
1 $\frac{1}{8}$	1.732	1.811	1.772	1.673	1.272	122	128
1 $\frac{1}{4}$	1.811	1.890	1.890	1.673	1.272	124	129
1 $\frac{3}{8}$	1.929	2.008	1.969	1.673	1.272	126	131
1 $\frac{1}{2}$	2.047	2.205	2.205	1.772	1.311	129	134
1 $\frac{5}{8}$	2.244	2.402	2.402	1.772	1.311	131	137
1 $\frac{3}{4}$	2.323	2.480	2.480	1.772	1.311	133	138
1 $\frac{7}{8}$	2.441	2.598	2.598	1.772	1.311	135	140
2	2.677	2.835	2.874	1.870	1.331	136	143
2 $\frac{1}{8}$	2.756	2.913	2.953	1.870	1.331	138	144
2 $\frac{1}{4}$	3.071	3.346	3.150	2.067	1.528	229	231

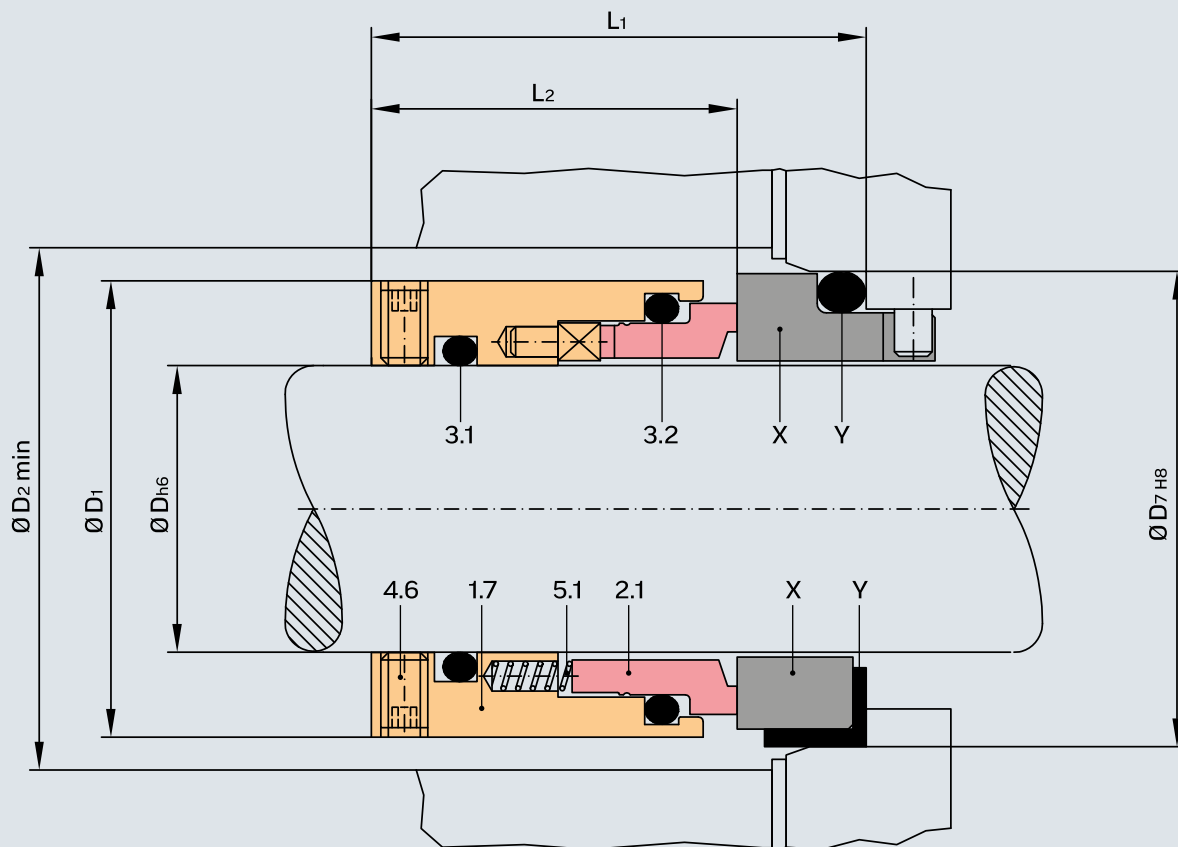
D_{h6}	D_1	$D_2 \text{ min.}$	D_7	L_{1KU}^{**}	L_2	O-rings DASH no.	
						3.1	3.2
2 $\frac{1}{8}$	3.189	3.346	3.150	2.067	1.528	229	233
2 $\frac{1}{4}$	3.268	3.425	3.346	2.067	1.528	230	233
2 $\frac{3}{8}$	3.465	3.622	3.622	2.362	1.748	231	235
2 $\frac{1}{2}$	3.465	3.622	3.622	2.362	1.748	232	235
2 $\frac{3}{4}$	3.661	3.819	3.819	2.362	1.748	233	236
3	3.661	3.819	3.819	2.362	1.720	235	239
3 $\frac{1}{8}$	4.055	4.213	4.134	2.362	1.720	236	239
3 $\frac{1}{4}$	4.252	4.409	4.331	2.362	1.720	237	241
3 $\frac{3}{8}$	4.252	4.409	4.331	2.559	1.917	238	242
3 $\frac{1}{2}$	4.449	4.606	4.528	2.559	1.917	239	242
3 $\frac{3}{4}$	4.646	4.803	4.724	2.559	1.917	240	244
3 $\frac{7}{8}$	4.646	4.803	4.724	2.559	1.917	241	245
4	4.843	5.000	4.921	2.559	1.917	242	245
4 $\frac{1}{8}$	4.921	4.693	4.921	2.559	1.917	243	247

* Does not conform to the installation dimensions of the standard
 ** L_{1KU} installation length with DS1 and DS2

Mechanical seal

Type 186

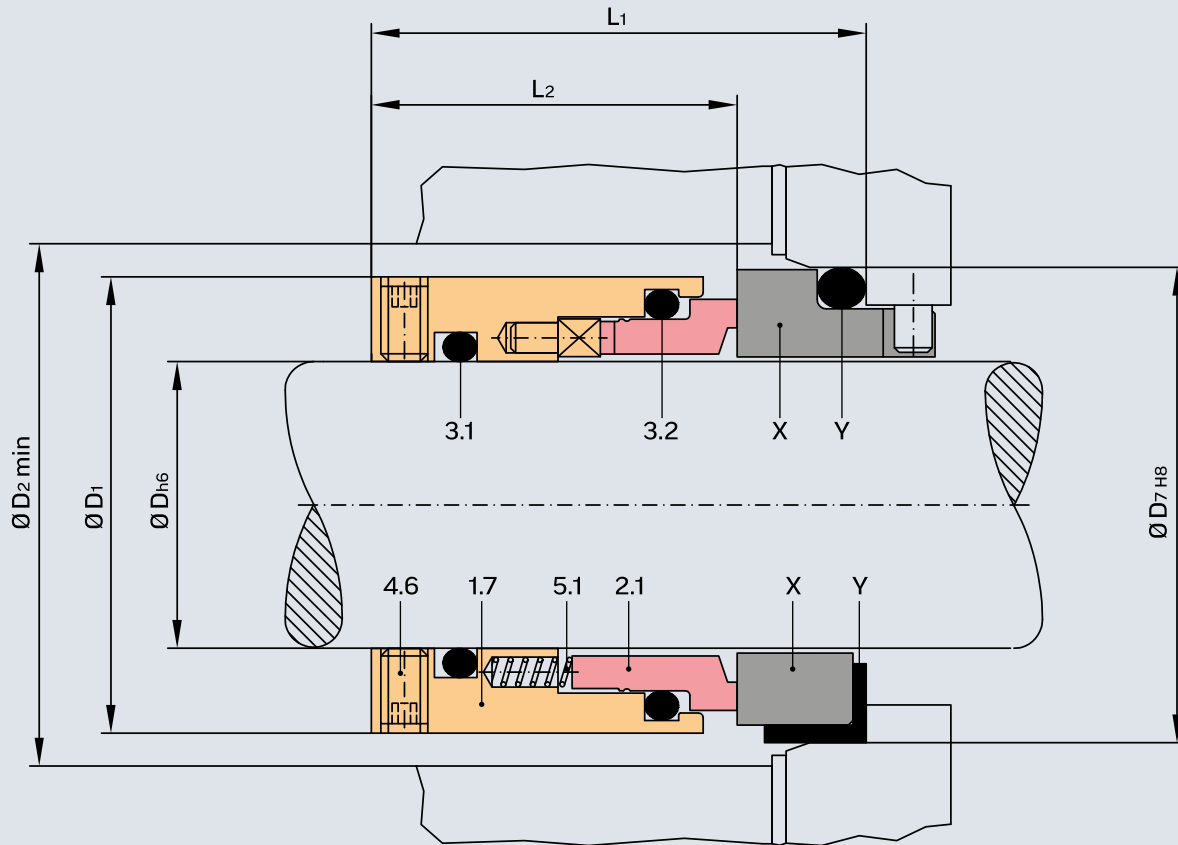
Data sheet



Dimension table $\text{Ø } 4\frac{1}{8} - 5\frac{3}{4}$ inches

D _{h6}	D ₁	D _{2 min.}	D _{7H8}	L ₁	L ₂	O-rings	
						3.1	3.2
4 $\frac{1}{8}$	5.276	5.433	5.157	2.638	2.007	DASH no. 244	Ø 4x120 mm
4 $\frac{1}{4}$	5.472	5.630	5.354	2.638	2.007	DASH no. 244	Ø 4x125 mm
4 $\frac{3}{8}$	5.669	5.827	5.551	2.638	2.007	DASH no. 246	Ø 4x130 mm
4 $\frac{1}{2}$	5.669	5.827	5.551	2.638	2.007	DASH no. 247	Ø 4x130 mm
4 $\frac{5}{8}$	5.866	6.024	5.906	2.638	2.007	DASH no. 247	Ø 4x135 mm
4 $\frac{3}{4}$	5.866	6.024	5.906	2.638	2.007	DASH no. 248	Ø 4x135 mm
4 $\frac{7}{8}$	6.063	6.220	6.102	2.638	2.007	DASH no. 249	Ø 4x140 mm
5	6.260	6.417	6.299	2.638	2.007	DASH no. 250	Ø 4x145 mm
5 $\frac{1}{8}$	6.260	6.417	6.299	2.638	2.007	DASH no. 251	Ø 4x145 mm
5 $\frac{1}{4}$	6.457	6.614	6.496	2.638	2.007	DASH no. 252	Ø 4x150 mm
5 $\frac{3}{8}$	6.654	6.811	6.693	2.638	2.007	DASH no. 253	Ø 4x155 mm
5 $\frac{1}{2}$	6.654	6.811	6.693	2.638	2.007	DASH no. 254	Ø 4x155 mm
5 $\frac{5}{8}$	6.850	7.008	6.890	2.638	2.007	DASH no. 255	Ø 4x160 mm
5 $\frac{3}{4}$	7.047	7.205	7.087	2.638	2.007	DASH no. 256	Ø 4x165 mm

Mechanical seal Type 186 Data sheet



Dimension table $\text{Ø } 5\frac{3}{8} - 6\frac{1}{4}$ inches

D _{h6}	D ₁	D _{2 min.}	D _{7 H8}	L ₁	L ₂	O-rings	
						3.1	3.2
5 $\frac{3}{8}$	7.047	7.205	7.087	2.638	2.007	DASH no. 257	Ø 4x165 mm
6	7.244	7.402	7.283	2.638	2.007	DASH no. 258	Ø 4x170 mm
6 $\frac{1}{8}$	7.244	7.402	7.283	2.638	2.007	DASH no. 259	Ø 4x170 mm
6 $\frac{1}{4}$	7.441	7.598	7.480	2.638	2.007	DASH no. 259	Ø 4x175 mm